

# AMBER SELECT / AMBER SELECT<sup>X</sup>

## Setting Up Your System



## Quick Start Guide

To set up your system, follow the steps below. For more detailed information, see the AMBER SELECT / AMBER SELECT<sup>X</sup> User Guide.

Select a central location in your home for the AMBER SELECT / AMBER SELECT<sup>X</sup> where you spend most of your time. The AMBER SELECT / AMBER SELECT<sup>X</sup> can be placed on a table, desk, or counter. It also can be mounted on the wall.

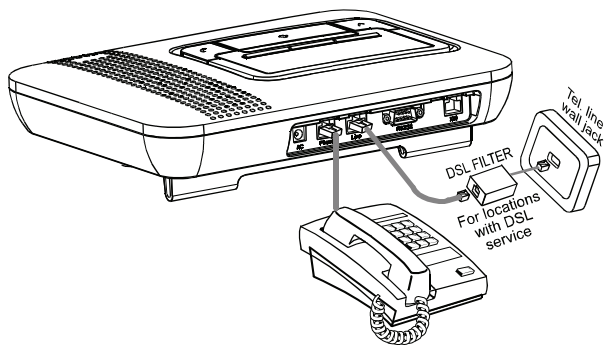
After you complete steps 1 and 2, your AMBER SELECT / AMBER SELECT<sup>X</sup> will automatically call your Central station to guide you through the rest of the setup.

**Note:** Certain remote areas of your residence may lie outside the reception range of the AMBER SELECT / AMBER SELECT<sup>X</sup>, resulting in the unit not being able to receive transmissions directly. In this case, a Repeater (MCX-600) can be used to increase the AMBER SELECT / AMBER SELECT<sup>X</sup> reception range.

Contact a Visonic representative for further details.

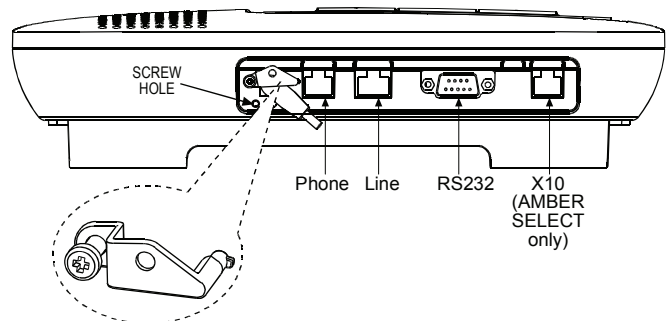
### 1. Connect the Base Unit to your Telephone Line:

Connect the wide end (RJ-45) of the phone cord to the "Wall Jack" on your AMBER SELECT / AMBER SELECT<sup>X</sup>. Plug the narrow end (RJ-11) of that phone cord into the phone jack on your wall.

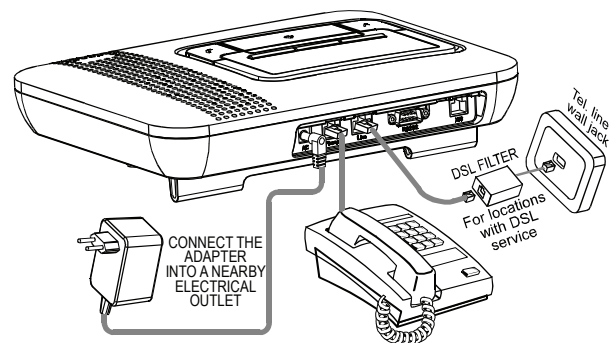


**Note:** Be aware of other phone line services such as DSL. If DSL service is present on the phone line, you must install a filter. For more information regarding the DSL filter, contact the service provider.

INSERT THE SAFETY CATCH TAB HORIZONTALLY AS SHOWN. TURN THE LEFT SIDE OF THE CATCH COUNTER-CLOCKWISE UNTIL IT FACES THE SCREW HOLE AND THEN FASTEN THE SAFETY CATCH WITH THE SCREW



**Note:** The safety catch is optional, can be purchased upon request.



**WARNING!**  
DO NOT USE AN OUTLET CONTROLLED BY A WALL SWITCH.

When electrical power is supplied to the Base Unit, the green light on the front panel illuminates.

### 2. The AMBER SELECT / AMBER SELECT<sup>X</sup> is now Connecting you to the Central Station:

After installation, a Monitoring Center representative will begin speaking to you.

When your Monitoring Center representative answers, you can hear the representative talking to you through the AMBER SELECT / AMBER SELECT<sup>X</sup> Unit. You can talk to the representative by speaking normally. You do not need to use the phone.

The Monitoring Center representative will guide you through the rest of the system setup.


### 3. Intruder Alarm Function:

To arm system from the unit; press and hold the CHECK button for 3 seconds. The unit announces and displays (AMBER SELECT only) ARMING AWAY, PLEASE EXIT NOW. After a delay, the unit will announce AWAY stating the current status. Active reminders will be disabled.

To disarm system, enter the protected area. The unit announces PLEASE DISARM and displays (AMBER SELECT only) ENTRY on the screen.

Disarm can be performed in one of two ways, via the remote transmitter (this can be performed outside the protected area) or press and hold the CHECK button on the unit for 3 seconds (if pre-defined when programming the unit). Reminders will be active.

The alarm function can include a door transmitter, motion detectors, in addition to smoke, flood and carbon monoxide sensors.

	<p><b>W.E.E.E. Product Recycling Declaration</b> For information regarding the recycling of this product, you must contact the company from which you originally purchased it. If you are discarding this product and not returning it for repair then you must ensure that it is returned as identified by your supplier. <u>This product is not to be thrown away with everyday waste.</u> Directive 2002/96/EC Waste Electrical and Electronic Equipment.</p>
---	--



VISONIC LTD. (ISRAEL): P.O.B 22020 TEL-AVIV 61220 ISRAEL. PHONE: (972-3) 645-6789, FAX: (972-3) 645-6788  
VISONIC INC. (U.S.A.): 65 WEST DUDLEY TOWN ROAD, BLOOMFIELD CT. 06002-1376. PHONE: (860) 243-0833, (800) 223-0020. FAX: (860) 242-8094  
VISONIC LTD. (UK): 7 COPPERHOUSE COURT, CALDECOTTE, MILTON KEYNES. MK7 8NL. TEL: (0870) 7300800 FAX: (0870) 7300801  
INTERNET: [www.visonic.com](http://www.visonic.com)  
©VISONIC LTD. 2008 AMBER SELECT / AMBER SELECT<sup>x</sup> QUICK START GUIDE D-301439 (REV. 1, 2/08)

